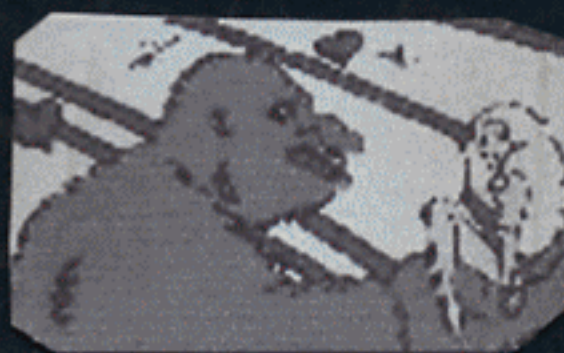


GOLDEN AXE

SEGA®

Installation/Owners Manual



420-0005U

This SEGA product has the copyright notice as follows: ©SEGA 1989

This signifies that this product was disclosed in 1989 and is the property of SEGA Enterprises.

by:

SEGA Enterprises, Inc. (U.S.A.)

2149 Paragon Drive
San Jose, California 95131
Phone Number (408) 435-0201
FAX Number (408) 435-0294

The Federal Communication Commission requires the verification of game kits. This game kit will meet these requirements when installed in accordance with the instructions in this Manual and using only components and materials supplied with this kit.

Table of Contents

Introduction	1
Handling and Installation Precautions	1
Prevention of Counterfeiting and Conversion Labeling	1
Precautions Concerning the Place of Installation	1
System Requirements	2
Tools Required	3
Cabinet Preparation	3
Kit Component Verification	4
Installation Procedure	5
Monitor Bezel	5
License Seal	5
Side Decal	5
Marquee Plex	5
Control Panel	5
Service Switch Assembly	6
Harness Installation	7
Interface Harness Installation	8
Cabinet 115 VAC System Grounding	9
Cabinet System Checkout	9
Golden Axe Printed Circuit Board Installation	9
Logic Board and Complete System Checkout	9
In Case of Difficulty	11
Figure 1	13
Figure 2	14
Figure 3	15
Figure 4	15
Figure 5	16
Figure 6	17
Figure 7	17
Figure 8	18
Figure 9	18
Figure 10	18
Figure 11	19
Figure 12	19
Figure 13	20
Switch Setting Sheet	21
Schematic Diagram	22

Introduction

SEGA ENTERPRISES, LTD., supported by its high electronic technology of Large Scale Integration, microprocessors, etc. and a wealth of experience, has for more than 30 years been supplying various innovative and popular game machines to the world market. This OWNER'S AND KIT INSTALLATION manual is intended to provide detailed comments together with all the necessary information covering the operation and installation of electronic assemblies, electromechanical assemblies, control assemblies, and spare or replacement parts for the GOLDEN AXE coin operated game. This manual is intended for those who have knowledge of electricity and technical expertise in video games. Carefully read the enclosed information before starting the kit installation or troubleshooting procedures.

Handling and Installation Precautions

- During installation:**
1. Be sure to remove power plug when working on the machine.
 2. Be sure all connections and harness routing are secure.
 3. Make sure all grounding connections are secure and properly affixed.
 4. Do not use any fuse that does not meet the specified rating.

Prevention of Counterfeiting and Conversion Labeling

To prevent counterfeit and unauthorized conversions, the following label is supplied with all authorized SEGA kit products. When handling such goods, be sure to locate and confirm the label. It is used to prevent illegal acts such as the unauthorized copying of the products and the printed circuit boards.



Precautions Concerning the Place of Installation

The GOLDEN AXE CONVERSION KIT is intended to be installed in an indoor game cabinet. Absolutely do not install it outdoors. When installed indoors the following places mentioned below should be avoided to ensure proper operation and usage:

- Places subject to rain or water leakage, or condensation due to humidity
- In the proximity of an indoor swimming pool and/or shower
- Places subject to direct sunlight
- Places subject to heat sources from heating units, hot air, etc.
- Vicinity of highly flammable/volatile chemicals or hazardous materials
- Sloped surfaces
- Vicinity of anti-disaster facilities such as fire exits and fire extinguishers
- Places subject to any type of violent impact
- Dusty environment

System Requirements

- Power Supply:**
- Input voltage 90 VAC to 135 VAC 60 Hz
 - + 5 volts at 6 amps
 - + 12 volts at 2 amps
 - Overvoltage protected at + 5.8 volts
 - Current limit set at 8 amps

- RFI Line Filter:**
1. If a switching power supply is used:
 - Current rating of 6 amps
 - Frequency attenuation of the following:

.15 MHz	40db
.5 MHz	65db
1.0 MHz	65db
5.0 MHz	55db
10.0 MHz	50db
30.0 MHz	50db
 2. If a linear power supply is used:
 - Current rating of 5 amps
 - Frequency attenuation of the following:

.15 MHz	6db
.5 MHz	19db
1.0 MHz	28db
5.0 MHz	42db
10.0 MHz	45db
30.0 MHz	50db

- Miscellaneous:**
- Line Fuse: 4 amp 120 VAC
Speaker: 8 ohms 10 watt
On/Off Switch: 6 amp 120 VAC
Isolation Transformer: 115 VAC primary, 115 VAC secondary, 100 watts
Coin Door: Dual coin acceptors
Coin Meter: + 5 Volt DC
Power Cord: Three conductor with ground
Color Monitor:
- Video input 1 volt to 5 volt peak-to-peak positive polarity
 - Sync TTL negative polarity separate horizontal and vertical
 - Horizontal frequency 15.750 KHz
 - Vertical frequency 60 Hz
 - Video bandwidth 12MHz or greater
 - Horizontal mounted
 - Recommended size 19 inch

Tools Required

- Drill
- Hole cutter 1-3/16"
- Phillips screw driver
- Flat blade screw driver
- Small flat blade screw driver
- Scissors
- Sand paper
- Paint
- X-acto knife
- Wood patch

Cabinet Preparation

1. Remove old PCB, and all existing game harnesses.
2. Remove and disassemble the control panel.
3. Remove any side decals, monitor bezel, and marquee.
4. Using sandpaper and/or paint thinner, clean and smooth the cabinet for paint preparation. Use wood patch to fill any knicks or flaws in the cabinet.
5. Paint cabinet if required.
6. Wipe down and vacuum cabinet as necessary.

NOTE: You are building a new game, not just changing an old one. A nice, clean, and new looking conversion not only earns better, but lasts longer.

Kit Component Verification

Verify each component with the kit list provided to assure your kit is complete. If any part is missing after the inventory is taken, please contact your distributor, and provide to them the following information:

1. Kit serial number
2. Part number and description of missing item/s
3. Date received

Kit List

Part Number	Quantity	Description
0002-0000	2	#6 x 3/8 P/h Phil Tek
0002-0001	4	#6 x 3/4 P/H Phil "AB" SMS
0312-0024	8	#10-24 x 1 3/4 Carr/Bolt Black
0502-0024	8	#10-24 Hexnut
0612-0024	8	#10 Split Lock Washer
0692-0024	8	#10 Flat Washer 1/2 OD
2112-0000	2	Wire Nut #18 x 2
252-0005U	1	Monitor Bezel Golden Axe
420-0005U	1	Manual Golden Axe
421-5801-95	1	License Seal Golden Axe
421-7442	1	Switch Setting Sheet
4212-0001	1	(Kit) Serial # Sticker
423-0033U	1	Golden Axe Marquee Plex
423-0032U-A	2	Side Decal, Sword
423-0032U-B	2	Side Decal, Axe
423-0032U-C	2	Side Decal, Golden Axe
4231-0007	1	Golden Axe Control Panel Overlay
4231-0008	1	Control Panel Clear Plex
423-0031U	1	Golden Axe Label Sheet (See List)
		(1) Test, Service, Volume Sticker
		(2) Joystick Stickers
		(2) Attack Stickers
		(2) Jump Stickers
		(2) Magic Stickers
		(1) Start 1 Player Sticker
		(1) Start 2 Player Sticker
		(1) FCC Sticker (Kit)
4750-0049	1	Volume Control 100 Ohm 10 Watt
5090-5028	2	PB Spst Switch Momentary
5091-0001-01	2	Joy Stick 8 Way (Spring Type)
5091-0004-01	2	PB Spst Control Panel (Red)
5091-0004-02	2	PB Spst Control Panel (White)
5091-0004-03	2	PB Spst Control Panel (Blue)
5091-0004-04	2	PB Spst Control Panel (Yellow)
6010-0043	1	Knob, 1/8" Shaft
833-7001-02	1	Golden Axe Game—PCB
9992-0000	6	4" Tie Wrap
KRO-1721	1	Service Switch Bracket
JAM-0000	1	JAMMA HARNESS
S25-0002U	1	SEGA to JAMMA I/F HARNESS,
5091-0015-01	8	Pal Nut
5091-0015-02	8	Leaf Switch
5091-0015-03	8	Universal Adaptor

Installation Procedure

- | | |
|----------------------|---|
| Monitor Bezel | 1. Locate MONITOR BEZEL (252-0005U). Measure the size of existing monitor bezel or the required size to fit and cut cardboard monitor bezel to size. (see figure 1) |
| License Seal | 2. Locate GOLDEN AXE LICENSE SEAL (421-5801-95) and place seal as shown of in figure 1. Install Monitor Bezel on game cabinet. Note: Verify that the License Seal will be visible when the bezel is installed on game cabinet. |
| Side Decal | 3. Locate GOLDEN AXE SIDE ART (423-0032U). Install on the left and right side panels of the cabinet (see figure 1). Note: A mixture of slightly soapy water can be used on the cabinet to position the artwork as desired. A squeegee may be used to remove any wrinkles in the artwork if soapy water is used. |
| Marquee Plex | 4. Locate GOLDEN AXE MARQUEE PLEX (423-0033U). Measure the size of existing marquee plex or required size to fit and trim the marquee plex to size. Install on cabinet. (see figure 1) |
| Control Panel | 5. Locate GOLDEN AXE CONTROL PANEL OVERLAY (4231-0007). Measure the size required and cut the control panel overlay to fit the existing control panel.
6. Define the location of the player push buttons and joystick(s) on the control panel. (see figure 2)
7. Cut holes in control panel to locate buttons and joystick(s). See template for button and joystick. (see figure 3)
8. Install the "ONE PLAYER START" label and the "TWO PLAYER START" label on the control panel overlay. (see figure 2)
9. Install player control button labels, MAGIC, ATTACK and JUMP on the control panel overlay. (see figure 2)
10. Install the JOYSTICK label(s) on the control panel overlay. (see figure 2)
11. Locate the CONTROL PANEL CLEAR PLEX (4231-0008) and cut holes into the plex to match the holes cut into the control panel. Then trim as required to protect the control panel overlay and labels. Note: this clear plex overlay can be used to protect unused holes in the control panel from player punctures. (see figure 2)
12. Install YELLOW buttons (5091-0004-04) in the "MAGIC" locations. (see figure 2)
13. Install RED buttons (5091-0004-01) in the "ATTACK" locations. (see figure 2) |

14. Install BLUE buttons (5091-0004-03) in the "JUMP" locations. (see figure 2)
15. Install WHITE buttons (5091-0004-02) in 1 PLAYER START and 2 PLAYER START locations. (see figure 2)

NOTE: When buttons are securely placed and tightened in the control panel assembly, a small amount of clear RTV Silicone may be placed on two or three areas of the lock-nut to keep the switches from being unscrewed from the top of the panel. (see figure 3)

16. Locate the JOYSTICK(S) (5091-0001-01). This package consists of the following six components.
 - a. Preamsembled joystick(s) base assembly with microswitches
 - b. E-ring
 - c. Black knob & shaft
 - d. 2" Dia. washer
 - e. Actuator plastic
 - f. Pivot cone

The final assembly of the joystick(s) must be performed after the joystick(s) base assembly is mounted on the control panel. Locate the following:

- | | |
|---|--------|
| a. #10-24 X 1 3/4 Carr/Bolt Black (0312-0024) | (8 ea) |
| b. #10-24 Hexnut (0502-0024) | (8 ea) |
| c. #10 Flat Washer 1/2" OD (0692-0024) | (8 ea) |
| d. #10 Split Lock Washer (0612-0024) | (8 ea) |

Use the above components to secure the Joystick base assembly to the control panel. (see figure 2)

The final assembly of the joystick(s) is performed by:

- a. Placing the 2" Dia. washer over the Black knob & shaft.
- b. Install the Pivot cone on the shaft.
- c. Install the Black knob & shaft assembly through the joystick(s) base assembly on the control panel.
- d. Install the Actuator micro/switch on the shaft.
- e. Install the E-ring on the shaft to secure the assembly.

Service Switch Assembly

17. Locate SERVICE SWITCH BRACKET (KR0-1721) and install two PUSH BUTTON SPST SWITCH MOMENTARY (5090-5028) into bracket as shown in figure 4.
18. Locate VOLUME CONTROL 100 OHM 10 WATT (4750-0049) and install into service switch bracket as shown in figure 4.
19. Locate TEST, SERVICE, VOLUME STICKER and place on the service switch bracket as shown in figure 4.

20. Locate KNOB 1/8" SHAFT (6010-0043) and install on shaft of volume control 100 ohm 10 watt as shown in figure 4.
21. Install the Service Switch Assembly using 2 ea #6 x 3/8 P/H PHIL TEK screws (0002-0000) in the cabinet at either of the following locations (see figure 5):
 - On top of the steel enclosure for the Cash Box, inside the coin door.
Note: The TEK screws have a drill point and will drill through the steel enclosure.
 - Inside to the left of the coin door, mounted to the wood cabinet.

Harness Installation

22. Locate the JAMMA HARNESS (JAM-0000) and install as shown in figure 5. Use the provided (6 ea) 4" TIE WRAP (9992-0000) to secure the harness.
23. Connect the harness to the POWER SUPPLY as follows: (see figure 6)
 - a. +5 volt source. (Pins 3, 4, C, D of Jamma Harness)
 - b. +12 volt source. (Pins 6, F of Jamma Harness)
 - c. GND source. (Pins B, 27, e, 28, f of JAMMA HARNESS)
24. Connect the harness to the COIN DOOR as follows: (see figure 7.)
 - a. Connect the wire to coin chute 2 acceptor microswitch COMMON terminal. (Pin T of Jamma)
 - b. Connect the wire to coin chute 1 acceptor microswitch COMMON terminal. (Pin 16 of Jamma)
 - c. Connect the wire to coin chute 1 and 2 acceptor microswitch NORMALLY OPEN terminal. (Pin A of JAMMA)
 - d. Also connect Pin A JAMMA to one side of each lamp on the coin door.
 - e. Connect +5 volts from the power supply to the other side of each lamp on the coin door.
25. Connect the harness to the COIN METER by using two WIRE NUTS (2112-0000). (see figure 8) **Note:** Some coin meters have an internal diode.

26. Connect the harness to the CONTROL PANEL as follows:
 - a. Route and connect the daisy chained wire to the terminal of the PLAYER PUSH BUTTONS and JOYSTICK as shown in figure 9.
 - b. Connect the control panel harness wires as follows: (figure 10)

	JAMMA PIN #
TO PLAYER 1 JOYSTICK UP	18
TO PLAYER 1 JOYSTICK DOWN	19
TO PLAYER 1 JOYSTICK RIGHT	21
TO PLAYER 1 JOYSTICK LEFT	20
TO PLAYER 1 JUMP	23
TO PLAYER 1 ATTACK	22
TO PLAYER 1 MAGIC	24
TO PLAYER 1 START	17
TO PLAYER 2 JOYSTICK DOWN	W
TO PLAYER 2 JOYSTICK UP	V
TO PLAYER 2 JOYSTICK RIGHT	Y
TO PLAYER 2 JOYSTICK LEFT	X
TO PLAYER 2 JUMP	a
TO PLAYER 2 ATTACK	z
TO PLAYER 2 MAGIC	b
TO PLAYER 2 START	U

27. Connect the T.V. Monitor as shown in figure 11.
28. Connect the routed speaker wires to the speaker. Check the routing for security.

CAUTION!!!: Do not connect the Golden Axe PCB Direct to the Jamma Harness as permanent, severe damage will occur to the PCB.

SEGA TO JAMMA Interface Harness Installation

29. Locate SEGA TO JAMMA INTERFACE HARNESS and connect by inserting the card edge into the JAMMA HARNESS matching arrows to assure proper orientation. (figure 13)
30. Connect the SEGA TO JAMMA INTERFACE HARNESS to the SERVICE SWITCH ASSEMBLY as follows: (see figure 4.)
 - a. Connect the two wires to a terminal of each (GND) PUSH BUTTON. I/F Harness Pin f.
 - b. Connect the wires to the SERVICE SWITCH. I/F Harness Pin 23.
 - c. Connect the wires to the TEST SWITCH. I/F Harness Pin 22.
 - d. Connect the wires to the terminal of the VOLUME CONTROL that is nearest the center of the bracket. I/F Harness Pin b.
 - e. Connect the wires that go to the speaker to the center terminal of the VOLUME CONTROL. Jamma Harness Pin L.
 - f. Connect the wire that is routed to the 56 pin connector to the outer most terminal of the VOLUME CONTROL. I/F Harness 24.

Cabinet 115 VAC System Grounding

31. Locate the GROUND lead (green) of the 115 volt input power Line (see figure 12). This must be connected to all components of the game system. This is a safety requirement for the players' protection. This AC GROUND must be of #18 AWG wire or larger. (see figure 12 for the proper routing of the wire)

Cabinet System Checkout

32. Apply power to cabinet system and check for the following voltages. If any voltage is incorrect, remove power and correct problem before proceeding any further.
 - a. +5 Volts on pins 3,4,C, and D of the 56 pin PCB connector. (Interface Connector)
 - b. +12 Volts on pins 5 and E of the 56 pin PCB connector.
 - c. No voltage present on any other pins of the 56 pin PCB connector.
33. Check that the monitor has power. This can be accomplished by observing the glow of the filament inside the neck of the picture tube.
34. Check that the Marquee lamp has power.
35. Check that the system ON/OFF switch functions properly.

WARNING: PROCEED ONLY IF THE ABOVE CHECKS ARE CORRECT

Golden Axe Printed Circuit Board Installation

36. Locate the GOLDEN AXE GAME and install the logic PCB inside the cabinet (see figure 5). Use (4 ea) #6 x 3/4 P/H PHIL "AB" SMS (0002-0001) to secure the PCB through its' mounting feet.
37. Locate the GOLDEN AXE SWITCH SETTING SHEET (421-7442). Place this sheet on the inside of the game so that it is visible when the back door is removed or opened. This will allow the DIP SWITCH OPTIONS to be handy when service or changes in options are required.
38. Connect the 56 pin connector of the Interface Harness to the PCB with the label on the same side as the components on the PCB. The 56 pin connector is marked with "COMPONENT SIDE".

NOTE: The proper orientation of the connector (see figure 13). If not connected properly, the system will not function and damage can occur to the PCB.

Logic Board and Complete System Checkout

39. Apply power to the system and observe that the logic PCB functions. If a video picture is not present proceed to "IN CASE OF DIFFICULTY" portion of this manual. When corrected, return to this point and continue.

40. Press the TEST BUTTON to enter the test menu. Individual tests can be entered by moving the Joystick. Press the test switch again to enter the test.
- **Memory test:**
Tests all main program Rom and Ram accessible by the main CPU.
 - **Input test:**
Tests all player inputs.
 - **Sound test:**
Tests all sounds. Move the Joystick UP or DOWN to select Sound category and move RIGHT or LEFT to select individual sounds. Press ATTACK to test.
 - **CRT test:**
Displays color bar and grid size so monitor adjustment can be made for color, focus, size, etc.
 - **Dip switch test:**
Shows current Dip Switch settings. (Dip Switches may be changed in this mode with power on.)
 - **Back-up RAM clear:**
Enables erasure of all bookkeeping information, high scores, etc.
 - **Exit:**
(Press test when arrow lines with this to exit to normal game mode.)
 - **Bookkeeping:**
Shows all coin credit in data and displays high/low scores, etc.
41. Set up game options as shown in figure 14.
- a. DIP SWITCH 1 on PCB sets up the number of coins per credit
 - b. DIP SWITCH 2 on PCB sets up the following:

Advertise Sound	- Set to ON	- 2 on
Game Difficulty	- Set to NORMAL	- 3, 4, 5, 6 off
42. Functionally test the game by:
- a. VERIFY that coin drops register proper credit/s and the COIN METER OPERATES.
 - b. VERIFY that the proper number of lives is given for each CREDIT.
 - c. VERIFY that the JOYSTICK MOVES the player left, right, and down.
 - d. VERIFY that each MAGIC BUTTON functions.
 - e. VERIFY that each JUMP BUTTON functions.
 - f. VERIFY that each ATTACK BUTTON functions.
43. Locate the Kit SERIAL NUMBER STICKER and FCC STICKER. Install these stickers on the rear of the game cabinet. (see figure 1)



In Case of Difficulty

- Check A.C. line cord
 - Check line fuse
 - Check monitor brightness
 - Check power switch and/or interlock switch
 - Check all solder connections on line filter and transformer
 - Check for proper orientation of the 56 pin PCB connector
-
- Check all PCB to monitor connections
 - Check power supply voltage on PCB
-
- Check monitor brightness
 - Check all PCB to monitor connections
-
- Monitor needs degaussing
 - Check for proper wiring between PCB and monitor
 - Check monitor adjustment and adjust if necessary
-
- Check monitor ground is properly connected to monitor
 - Be certain sync inputs are properly connected to monitor
 - Check horizontal hold adjustment
-
- Check horizontal and/or vertical hold adjustments
 - Check for proper wiring of sync from PCB to monitor
-
- Check volume control potentiometer adjustment
 - Check for +12 volts on edge connector of PCB
 - Check wiring from PCB to speaker
 - Check speaker for low resistance between the "+" and "-" tabs
-
- Check wiring to speaker for bad solder connections.
 - Check sound with another speaker
-
- Check ground connection to switch/es
 - Check wiring between PCB and switch/es for proper connection
 - Check switch/es with an ohmmeter to verify proper operation
-
- Check wiring between PCB and switches for proper orientation
 - Check wiring for shorts between switch inputs
-
- Check wiring to coin meter
 - Check that +5 volts is on "+" side of meter
 - Verify a +5 volt meter is used
-
- Verify that a meter with a diode is used
 - If no diode is built in meter a 1N4004 can be used across the meter.
Cathode to "+" side of meter and anode to "-" side of meter

000000000000

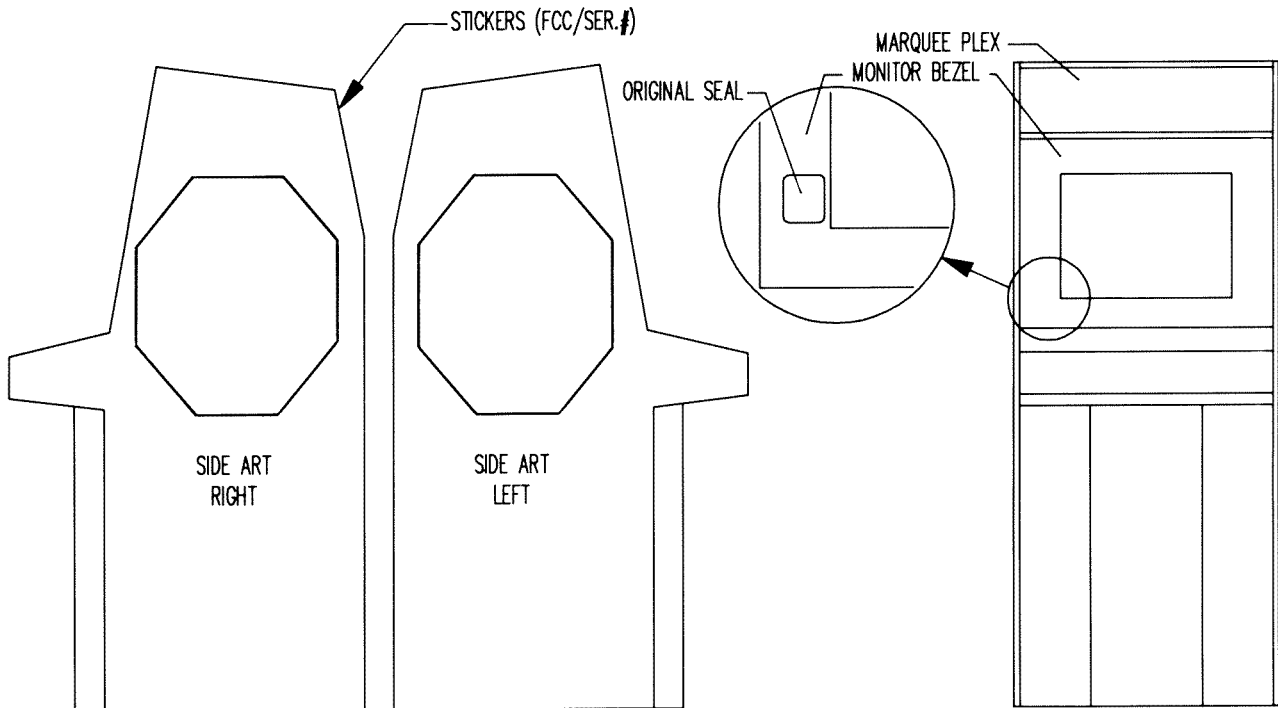
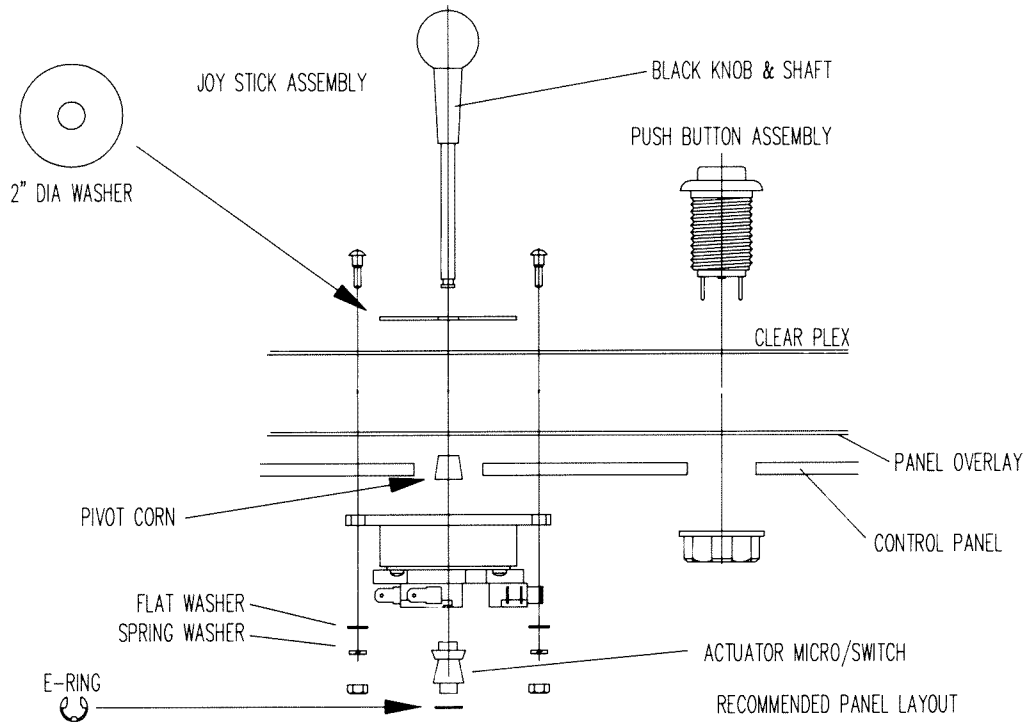
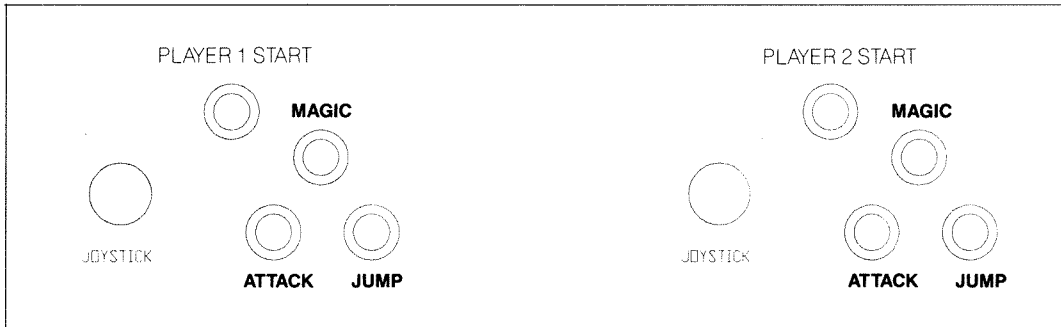


Figure 1



CONTROL PANEL TOP VIEW



SUGGESTED LAYOUT AND DIMENSIONS (TOP VIEW)

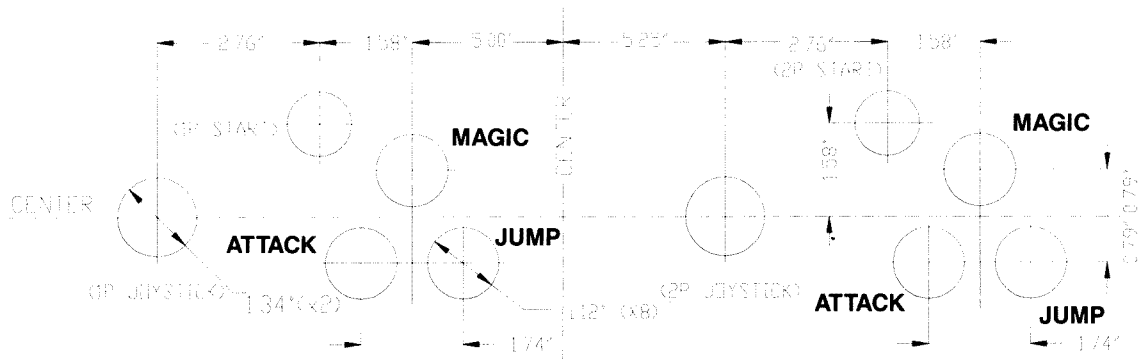


Figure 2

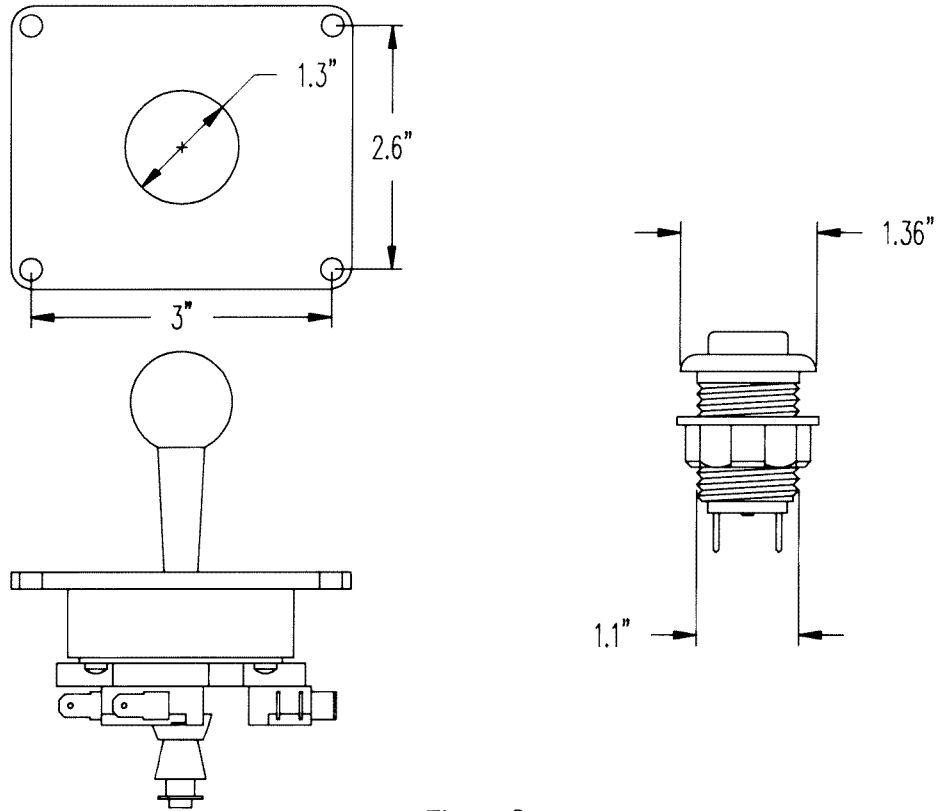


Figure 3

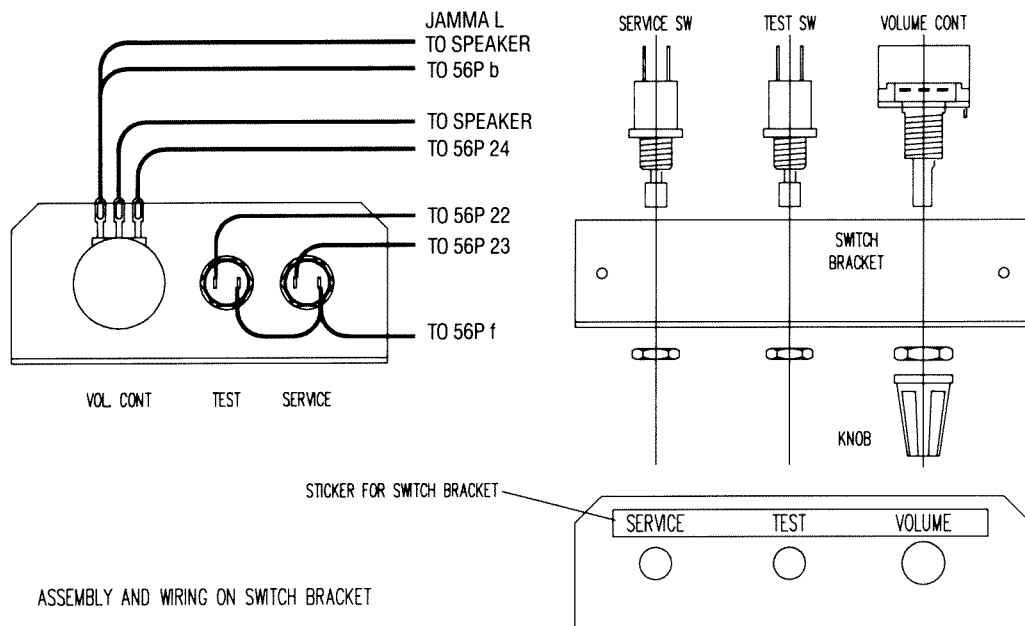
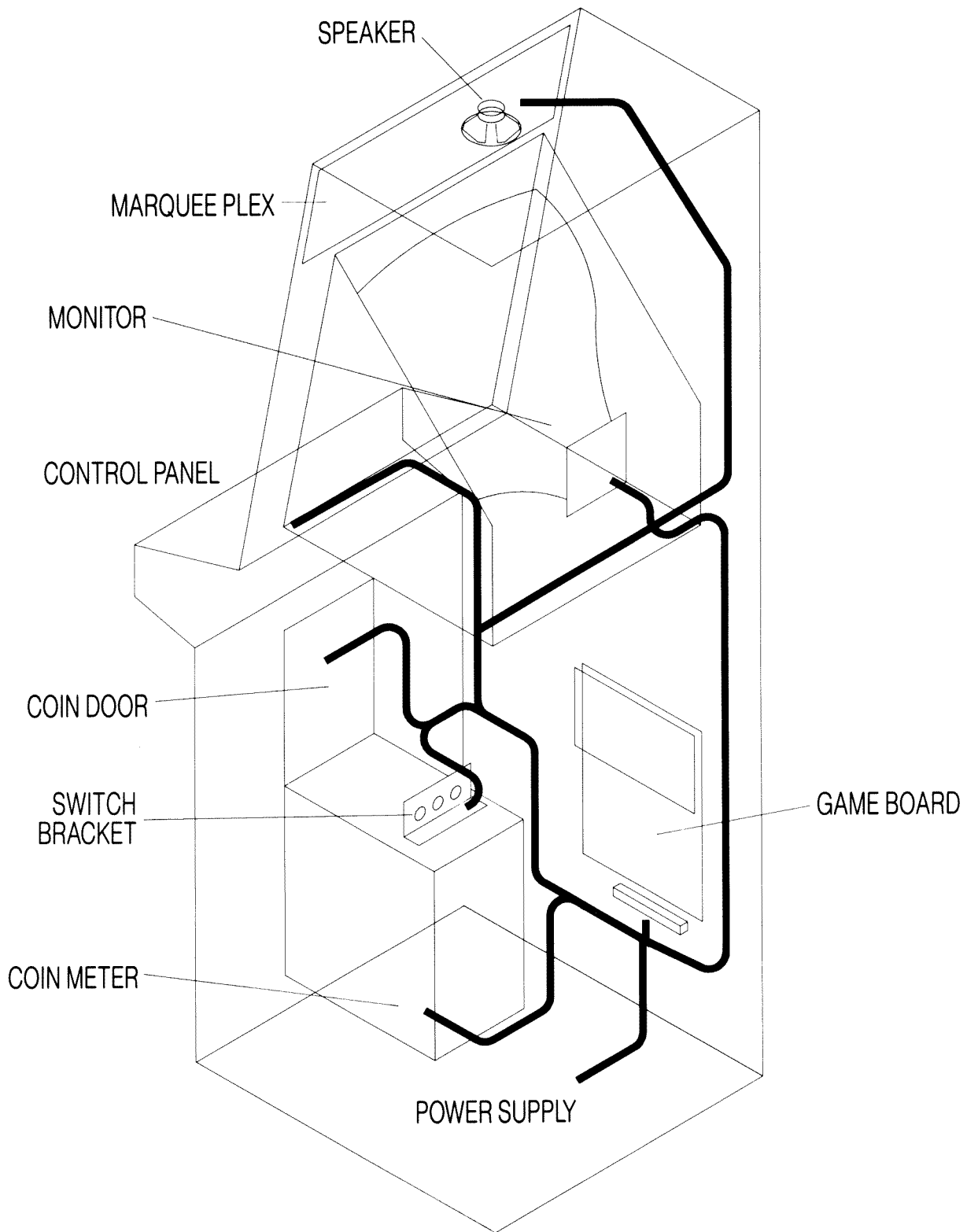


Figure 4



SUGGESTED HARNESS ROUTING

Figure 5

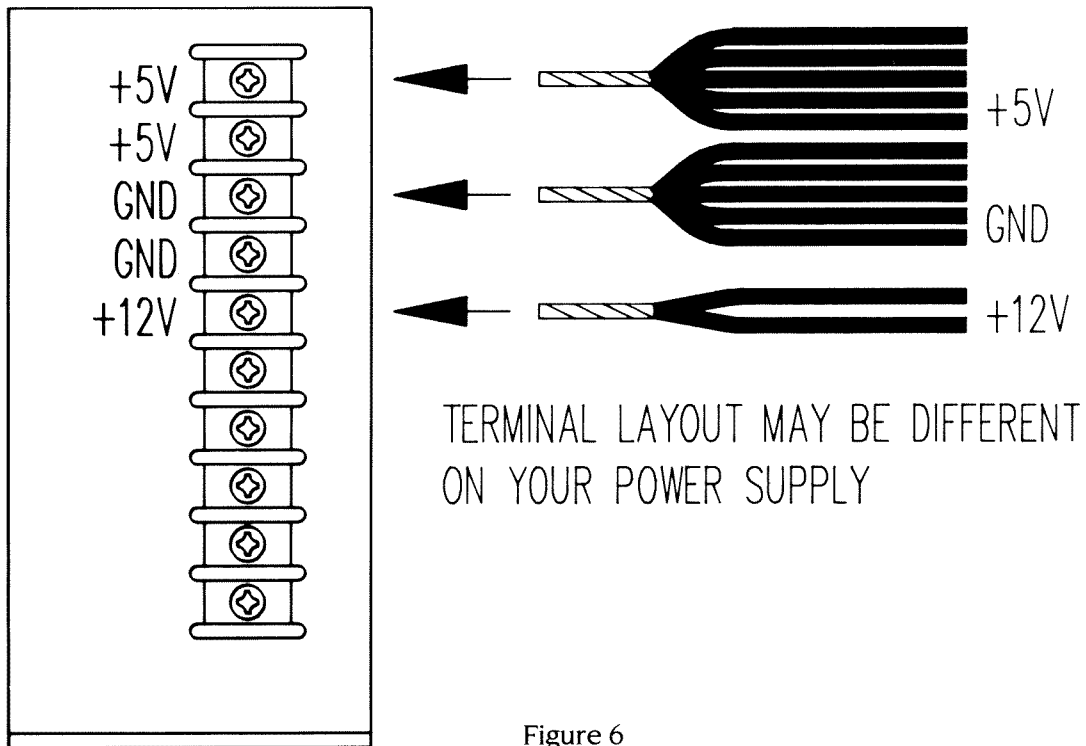


Figure 6

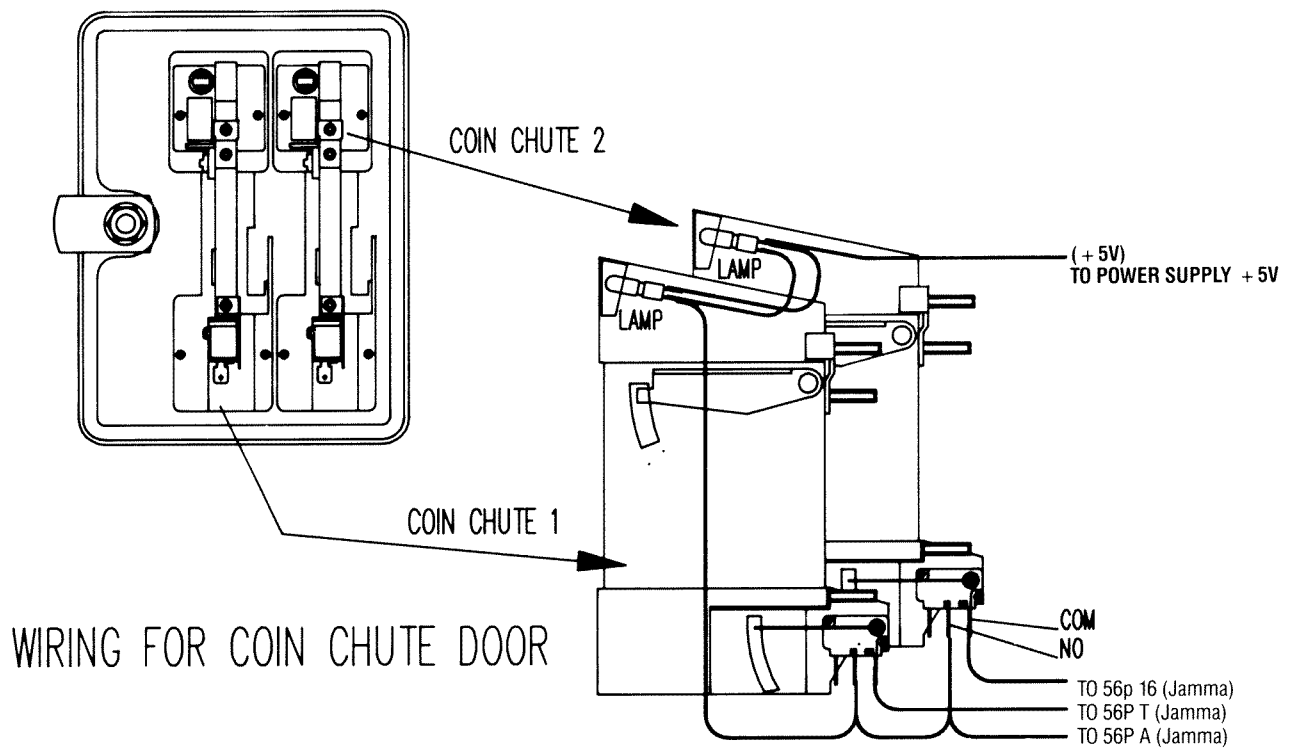


Figure 7

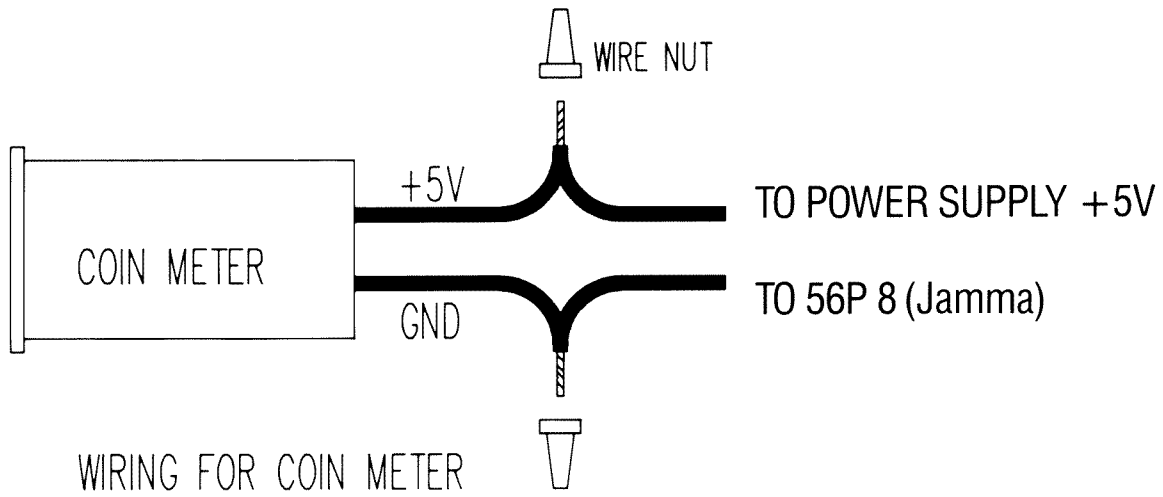


Figure 8

CONTROL PANEL REAR VIEW
GROUND ROUTING

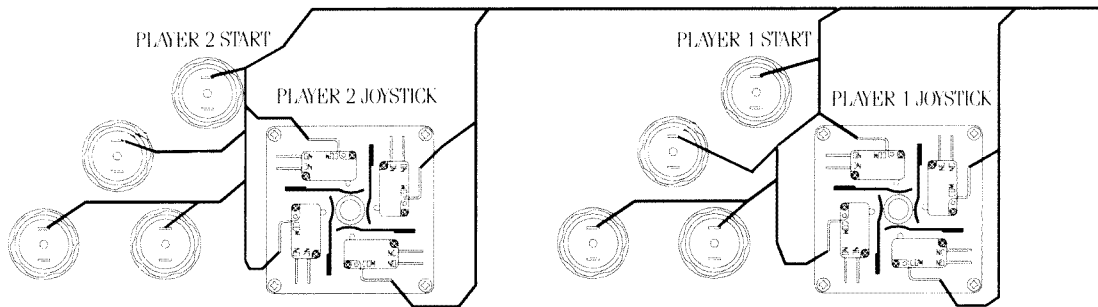


Figure 9

CONTROL PANEL REAR VIEW
SIGNAL ROUTING

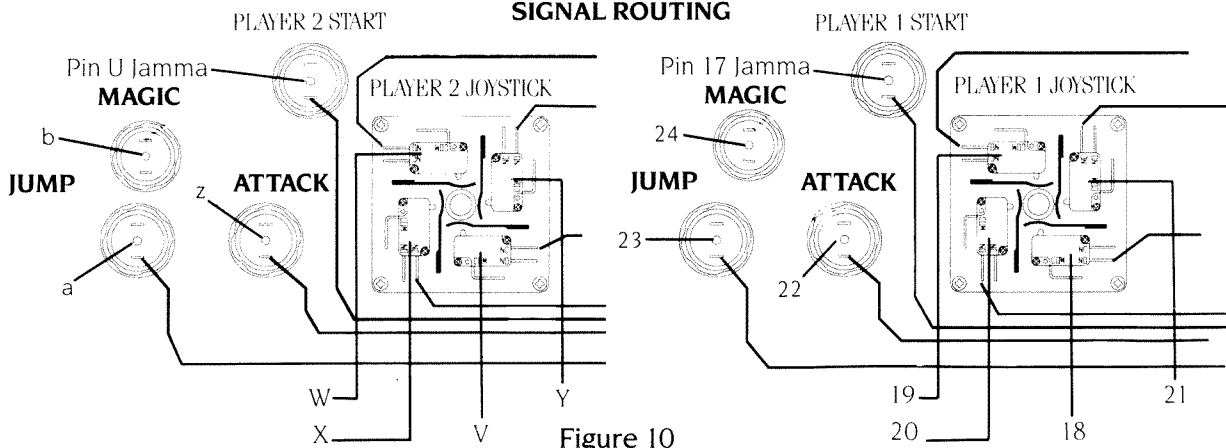


Figure 10

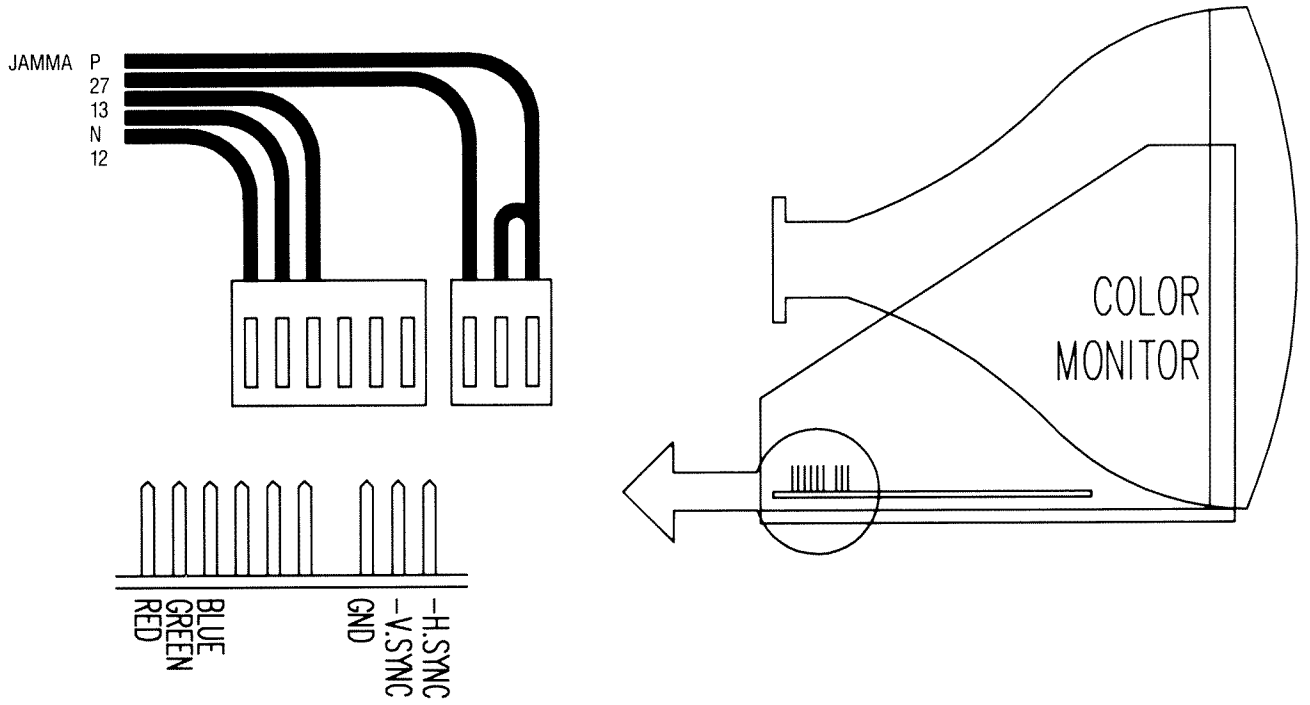


Figure 11

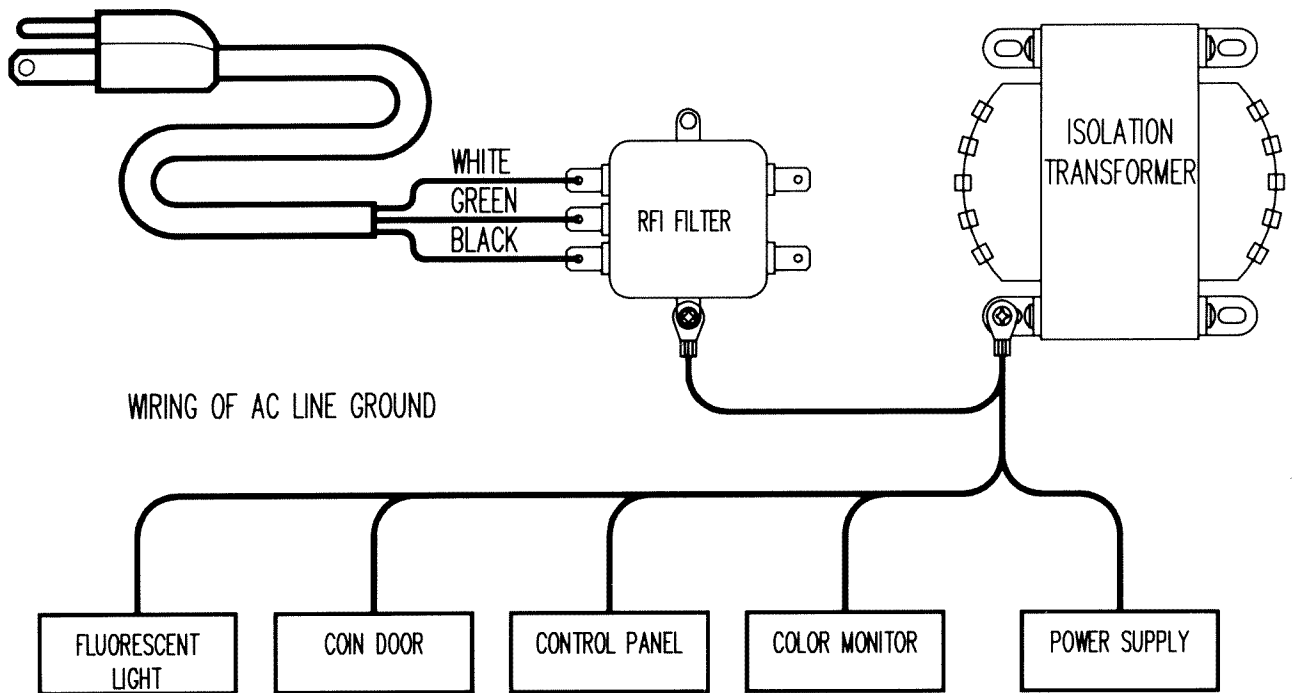


Figure 12

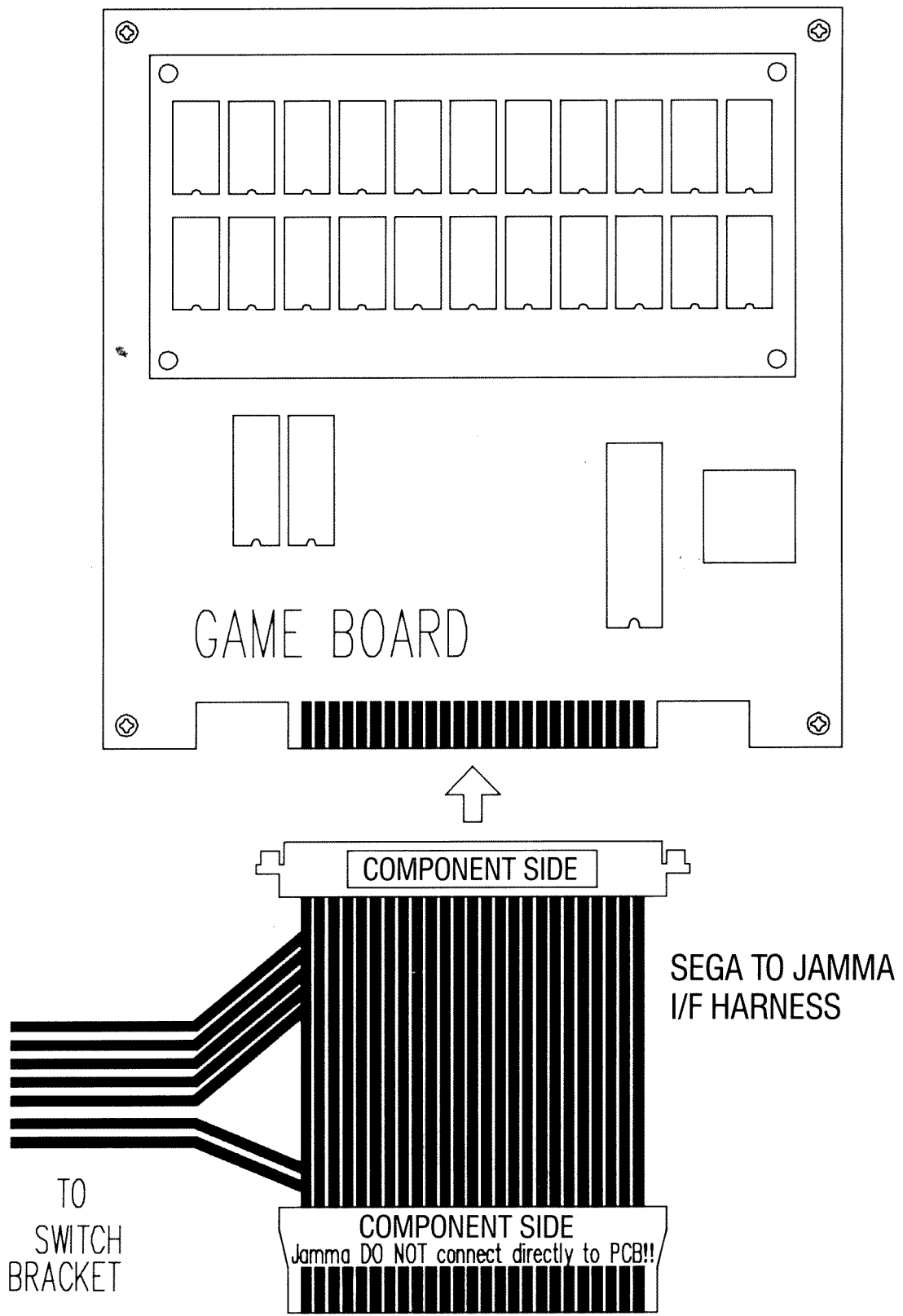


Figure 13

PIN ASSIGNMENT-SEGA INTERFACE			
COMPONENT SIDE		SOLDER SIDE	
GND	1 A	GND	
GND	2 B	GND	
+5V	3 C	+5V	
+5V	4 D	+5V	
+12V	5 E	+12V	
COIN METER 1	6 F	COIN METER 2	
(NOT USED)	7 H	(NOT USED)	
1P MAGIC	8 J	2P MAGIC	
1P ATTACK	9 K	2P ATTACK	
1P JUMP	10 L	2P JUMP	
(NOT USED)	11 M	(NOT USED)	
1P DOWN	12 N	2P DOWN	
1P UP	13 P	2P UP	
1P RIGHT	14 R	2P RIGHT	
1P LEFT	15 S	2P LEFT	
(NOT USED)	16 T	(NOT USED)	
(NOT USED)	17 U	(NOT USED)	
(NOT USED)	18 V	(NOT USED)	
(NOT USED)	19 W	(NOT USED)	
COIN 1	20 X	1P START	
COIN 2	21 Y	2P START	
TEST	22 Z	(NOT USED)	
SERVICE	23 a	(NOT USED)	
SPEAKER (+)	24 b	(-) SPEAKER	
RED	25 c	GREEN	
BLUE	26 d	CMP SYNC	
GND	27 e	GND	
GND	28 f	GND	

56P P:3.96 mm

MONITOR
HORIZONTAL

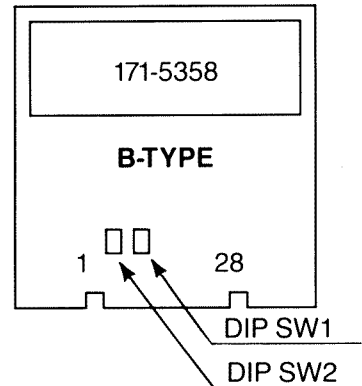
PIN ASSIGNMENT-JAMMA PIN-OUT			
COMPONENT SIDE		SOLDER SIDE	
GND	1 A	GND	
GND	2 B	GND	
+5V	3 C	+5V	
+5V	4 D	+5V	
-5V	5 E	-5V	
+12V	6 F	+12V	
(NOT USED)	7 H	(NOT USED)	
COIN METER 1	8 J	COIN METER 2	
COIN LOCKOUT 1	9 K	COIN LOCKOUT 2	
SPEAKER (+)	10 L	SPEAKER (-)	
AUDIO (+)	11 M	AUDIO (GND)	
VIDEO RED	12 N	VIDEO GREEN	
VIDEO BLUE	13 P	VIDEO SYNC	
VIDEO GND	14 R	SERVICE	
TEST	15 S	TILT	
COIN 1	16 T	COIN 2	
1P START	17 U	2P START	
1P UP	18 V	2P UP	
1P DOWN	19 W	2P DOWN	
1P LEFT	20 X	2P LEFT	
1P RIGHT	21 Y	2P RIGHT	
1P PUSH 1	22 Z	2P PUSH 1	
1P PUSH 2	23 a	2P PUSH 2	
1P PUSH 3	24 b	2P PUSH 3	
1P RESERVED	25 c	2P RESERVED	
1P RESERVED	26 d	2P RESERVED	
GND	27 e	GND	
GND	28 f	GND	

56P P:3.96 mm

Handwritten notes:
 17 U: 1P/2P
 18 V: 1P/2P
 19 W: 1P/2P
 20 X: 1P/2P
 21 Y: 1P/2P
 22 Z: 1P/2P
 23 a: 1P/2P
 24 b: 1P/2P
 25 c: 1P/2P
 26 d: 1P/2P
 27 e: 1P/2P
 28 f: 1P/2P
 2P UP: BLK (BANK)
 2P DOWN: BLK (BANK)
 2P LEFT: BLK (BANK)
 2P RIGHT: BLK (BANK)
 2P PUSH 1: BLK (BANK)
 2P PUSH 2: BLK (BANK)
 2P PUSH 3: BLK (BANK)

COIN/CREDIT OPTION SWITCH SETTING				DIP SW #1							
OPTION		1	2	3	4	5	6	7	8		
1 COIN 1 CREDIT		OFF	OFF	OFF	OFF	OFF	OFF	OFF	OFF		
1 COIN 2 CREDITS		ON	OFF	OFF	OFF	ON	OFF	OFF	OFF		
1 COIN 3 CREDITS		OFF	ON	OFF	OFF	OFF	ON	OFF	OFF		
1 COIN 4 CREDITS		ON	ON	OFF	OFF	ON	ON	OFF	OFF		
1 COIN 5 CREDITS		OFF	OFF	ON	OFF	OFF	OFF	ON	OFF		
1 COIN 6 CREDITS		ON	OFF	ON	OFF	ON	OFF	ON	OFF		
2 COINS 1 CREDIT		OFF	ON	ON	OFF	OFF	ON	ON	OFF		
3 COINS 1 CREDIT		ON	ON	ON	OFF	ON	ON	ON	OFF		
4 COINS 1 CREDIT		OFF	OFF	OFF	ON	OFF	OFF	OFF	ON		
2 COINS 3 CREDITS		ON	OFF	OFF	ON	ON	OFF	OFF	ON		
2 COINS 1 CREDIT		ON	ON	OFF	ON	ON	ON	OFF	ON		
2 COINS 3 CREDITS		ON	ON	OFF	ON	ON	ON	OFF	ON		
1 COIN 1 CREDIT		OFF	OFF	ON	ON	OFF	OFF	ON	ON		
2 COINS 2 CREDITS		OFF	OFF	ON	ON	OFF	OFF	ON	ON		
3 COINS 3 CREDITS		OFF	OFF	ON	ON	OFF	OFF	ON	ON		
4 COINS 4 CREDITS		OFF	OFF	ON	ON	OFF	OFF	ON	ON		
5 COINS 6 CREDITS		OFF	OFF	ON	ON	OFF	OFF	ON	ON		
1 COIN 1 CREDIT		ON	OFF	ON	ON	ON	OFF	ON	ON		
2 COINS 2 CREDITS		ON	OFF	ON	ON	ON	OFF	ON	ON		
3 COINS 3 CREDITS		ON	OFF	ON	ON	ON	OFF	ON	ON		
4 COINS 5 CREDITS		ON	OFF	ON	ON	ON	OFF	ON	ON		
FREE PLAY		ON	ON	ON	ON	ON	ON	ON	ON		

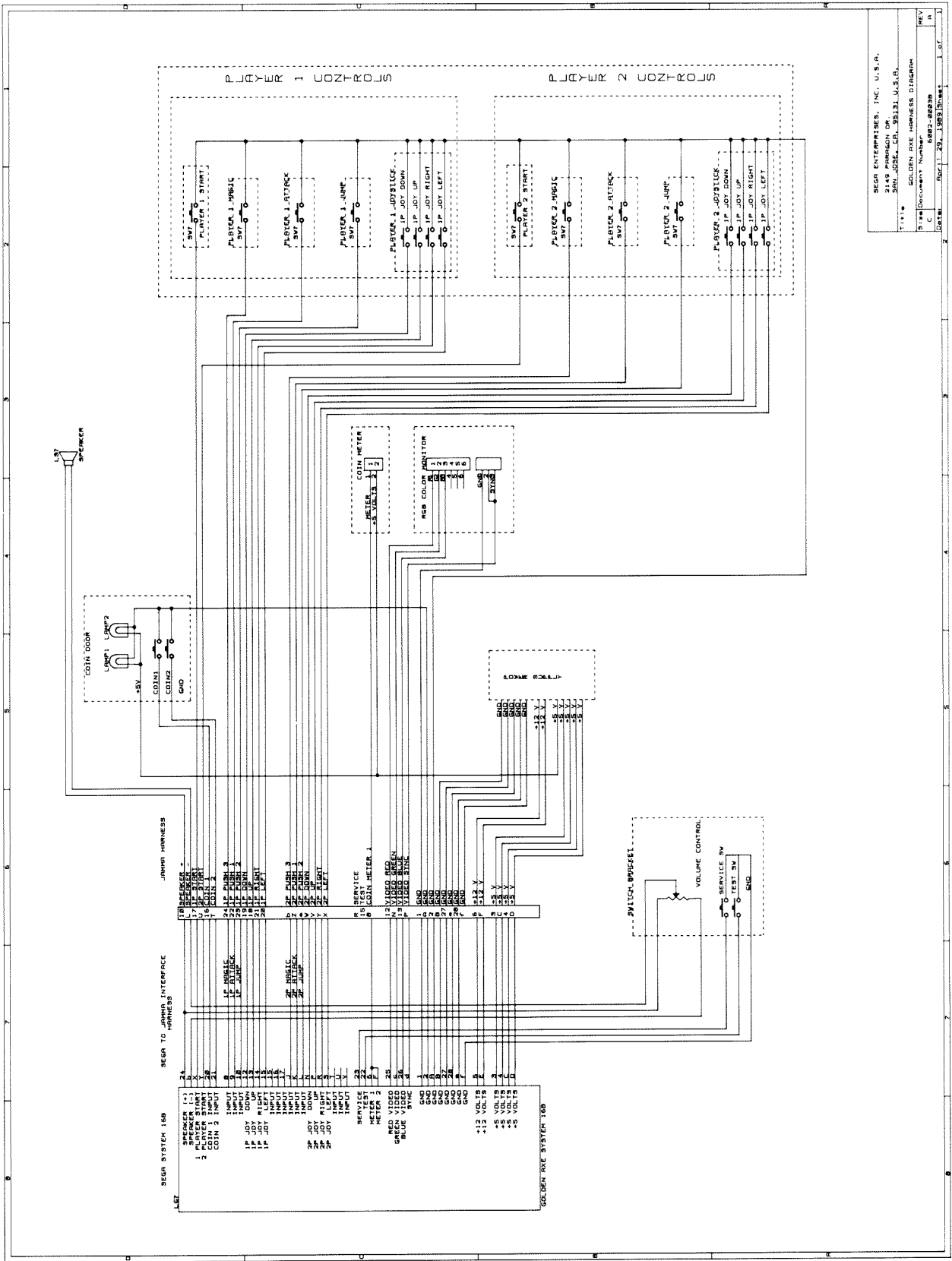
COIN SW #1 COIN SW #2



GAME OPTION SETTING				DIP SW #2							
		1	2	3	4	5	6	7	8		
1 CREDIT TO START		OFF									
2 CREDITS TO START		ON									
ADVERTISE SOUND	OFF		ON								
ADVERTISE SOUND	ON		OFF								
GAME DIFFICULTY	HARDEST			ON	OFF	ON	OFF				
GAME DIFFICULTY	HARDER			ON	OFF	OFF	OFF				
GAME DIFFICULTY	HARD			OFF	OFF	ON	OFF				
GAME DIFFICULTY	NORMAL			OFF	OFF	OFF	OFF				
GAME DIFFICULTY	EASY			OFF	OFF	OFF	ON				
GAME DIFFICULTY	EASIER			OFF	ON	OFF	OFF				
GAME DIFFICULTY	EASIEST			OFF	ON	OFF	ON				
GAME DIFFICULTY	SPECIAL			ON	ON	ON	ON				

NOT USED

Switch Setting Sheet



SEGA ENTERPRISES, INC. U.S.A.
 2140 PAMUNON DR.
 SAN JOSE, CA. 95131, U.S.A.
 Title: GOLDEN AXE HARNESS DIAGRAM
 Doc. No.: 6882-08239
 Date: 11-29-1983 Sheet 1 of 1

Schematic Design

SEGA Enterprises, Inc. (U.S.A.)
2149 Paragon Drive
San Jose, California 95131
Phone Number (408) 435-0201
FAX Number (408) 435-0294